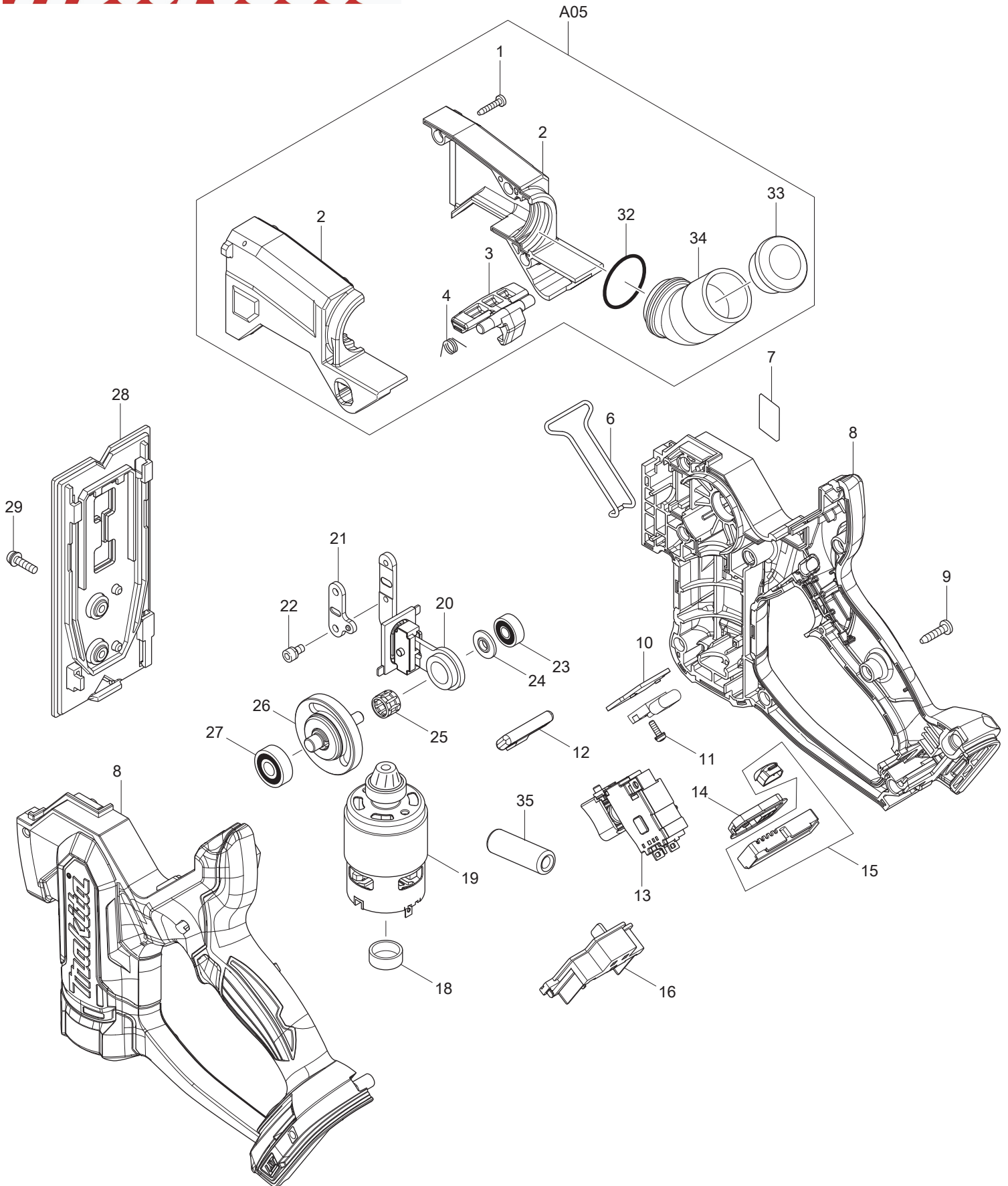




06 - 2016

DSD180Z

18V LXT Drywall Cutter



Item No	Type	Sub	Part No	Description	Qty	Unit
001			266130-9	TAPPING SCREW BIND PT 3X16	3	PC.
002			183C66-4	DUST COLLECTOR SET	1	SET
003			456628-6	HOOK	1	PC.
004			231661-7	TORSION SPRING 9	1	PC.
006			326680-7	SAFETY WIRE	1	PC.
007			852N21-0	NAME PLATE F/DSD180	1	PC.
008			183E42-0	HOUSING SET	1	SET
		INC.	263002-9	RUBBER PIN 4	1	PC.
		INC.	263005-3	RUBBER PIN 6	2	PC.
		INC.	810C78-1	CAUTION LABEL	1	PC.
009			266326-2	TAPPING SCREW 4X18	9	PC.
010			689098-6	HEAT SINK	1	PC.
011			911013-5	PAN HEAD SCREW M3X10	1	PC.
012			456625-2	LOCK OFF BUTTON	1	PC.
013			650762-6	SWITCH	1	PC.
014			140963-9	SWITCH PLATE COMPLETE	1	PC.
015			620509-2	LIGHT CIRCUIT	1	PC.
016			644808-8	TERMINAL	1	PC.
018			421940-3	CAP	1	PC.
019			629193-0	DC MOTOR	1	PC.
020			143694-9	SLIDER COMPLETE	1	PC.
		INC.	256305-8	PIN 4	1	PC.
		INC.	257391-2	RING 4	1	PC.
		INC.	310686-5	SLIDER PLATE	1	PC.
		INC.	310687-3	SLIDER GUIDE	1	PC.
021			347010-9	BLADE HOLDER	1	PC.
022			922106-3	HEX. SOCKET HEAD BOLT M4X8	2	PC.
023			211012-0	BALL BEARING 606ZZ	1	PC.
024			326679-2	SHOULDER WASHER	1	PC.
025			212077-5	NEEDLE CAGE	1	PC.
026			143690-7	CRANK SHAFT COMPLETE	1	PC.
027	1		211032-4	BALL BEARING 608ZZ	1	PC.
	2		210223-4	BALL BEARING 608ZZ	1	PC.
028			456623-6	BASE	1	PC.
029			911128-8	PAN HEAD SCREW M4X16	2	PC.
032			213412-0	O RING 29	1	PC.
033			286268-4	CAP 31	1	PC.
034			451177-8	DUST NOZZLE	1	PC.
<b>ACCESSORIES</b>			<b>- Visit <a href="http://www.makita.ca">www.makita.ca</a> for more accessories information -</b>			
A01			456624-4	BASE COVER	1	
A02			456632-5	BLADE COVER	1	PC.
A03			783201-2	HEX. WRENCH 3	1	PC.
A04			B-49703	BOARD CUTTER BLADE HCS F/PLASTERBOARD, 2/SE	1	SET
	Opt.		B-49719	BOARD CUTTER BLADE HCS F/WOOD, 2/SE	1	SET
A05			123559-1	DUST COLLECTOR ASSEMBLY	1	PC.
		INC.		Item No. 1-4, 32-34		
A06			-----	18V LI-ION BATTERY		
A07			-----	BATTERY CHARGER		
A08			-----	LI-ION BATTERY ACCESSORIES		
A09			821010-X	14" TOOL BAG	1	PC.
A10			197211-7	INTERLOCKING TOOL CASE M	1	PC.
		INC.	453974-8	LOCKING LATCH	4	PC.
			T-02571	FOAM INSERT F/INTERLOCK CASE	2	PC.